



# ULTRA-G

Multijet, Dry Dial, Class-B WATER METER

Check on every drop

**S** standards  
IS 779:1994  
ISO 4064

IS 779:1994  
 CLASS-B  
CM/L-1298460



एफ. सी. आर. आई  
PASSED

DNV  
AN ISO 9001:2015  
Certified Company



Copper Can Register  
**IP 68**

## f eatures

- Inferential Type Dry Dial Multi Jet, Magnetic Transmission.
- Straight Reading Cyclometer Type, register for the most comfortable reading position of 7 roller & 2 pointer.
- Hermetically sealed Copper Can register with protection category of IP68.
- Only one moving part-the impeller-in contact with the water for minimum wear & utmost reliability
- All the materials in contact with water, consciously selected by the known resistance to corrosion.
- Wide Range of products 15mm to 40mm.
- Register can be rotated in any direction for convenient reading.

### Accuracy

- From minimum flow rate (**Q<sub>min</sub>**) inclusive to transitional flow rate (**Q<sub>t</sub>**), exclusive : ± 5%
- From transitional flow rate (**Q<sub>t</sub>**) inclusive to maximum flow rate (**Q<sub>max</sub>**), exclusive : ± 2%

### Working Conditions

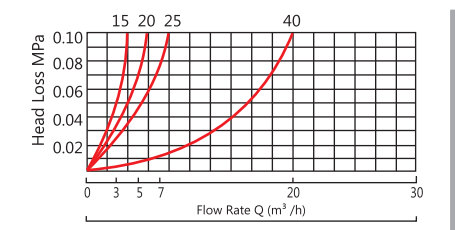
- Water Temperature ≤ 50°C
- Water Pressure ≤ 1MPa
- Pressure Loss  $\Delta P < 0.1 \text{MPa}$  at  $Q_{\text{max}}$   
 $\Delta P < 0.025 \text{MPa}$  at  $Q_{\text{n}}$
- Maximum Pressure-16 Bar

### APPLICATION

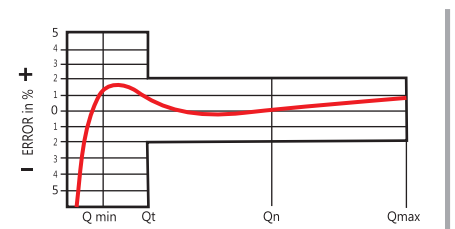


Domestic, Industrial & Agriculture Use

### HEAD LOSS CURVE

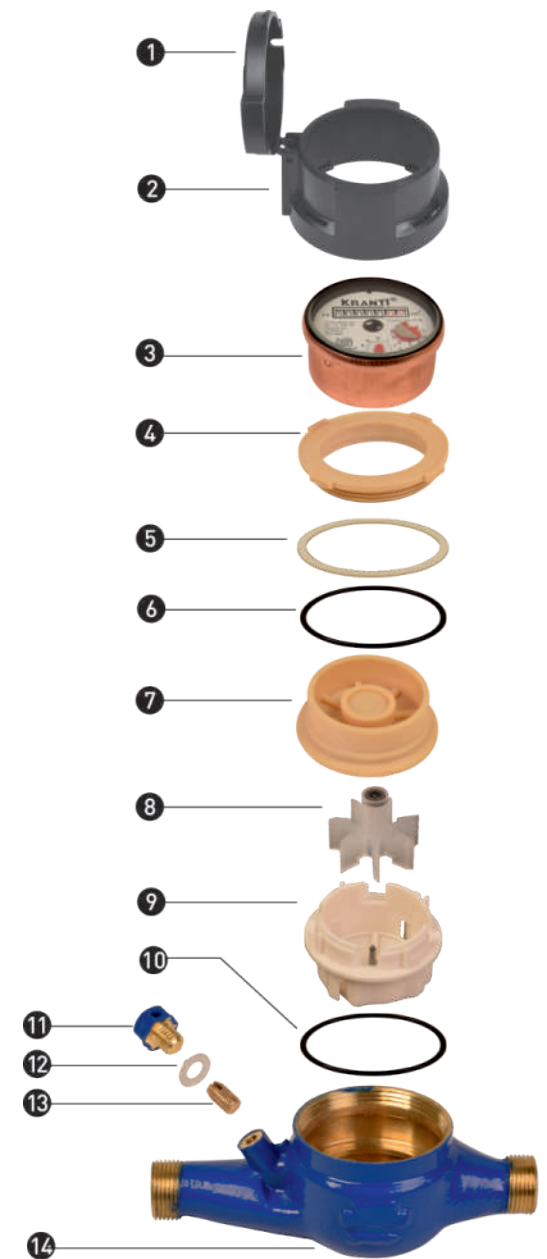
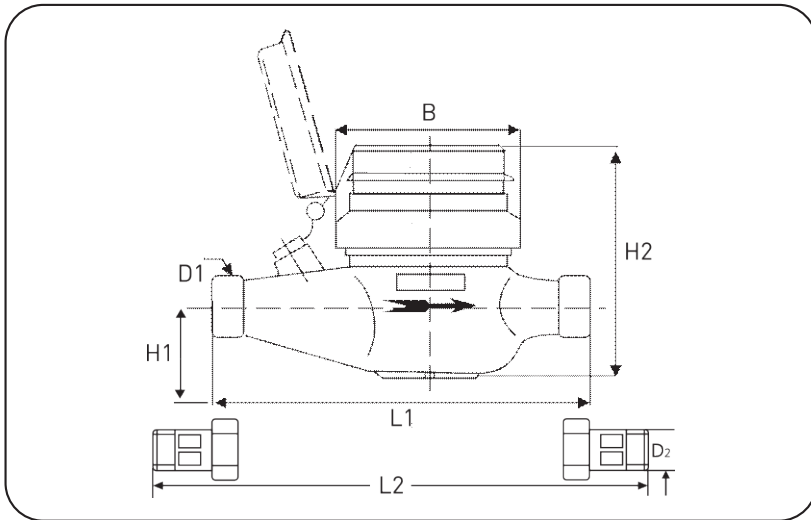


### ERROR CURVE



# ULTRA-G

Multijet, Dry Dial, Class-B WATER METER



## DIMENSIONS

Nominal Size	(mm)	15	20	25	40
	(Inches)	1/2	3/4	1	1 1/2
D1 - Meter Connection Thread ISO 228/1		G3/4 B	G1 B	G1 1/4 B	G2 B
D2 - Meter Connection Pipe ISO 7/1		R1 1/2"	R3/4"	R1"	R1 1/2"
L1 - Length without Couplings (mm)		165	190	260	300
L2 - Length with Couplings (mm)		250	290	380	430
B - Width (mm) (Max.)		100	130	170	210
H1 - Centerline Height (Max.)		50	60	65	75
H2 - Overall Height (Max.)		180	240	260	300

## PERFORMANCE DATA

Nominal Sizes		Metero-logical	Qmax Nominal Flow Rate (LPH)	Qn Nominal Flow Rate (LPH)	Qt Transitional Flow Rate (LPH)	Qmin Minimum Flow Rate (LPH)	Maximum Register Capacity (m <sup>3</sup> )	Minimum Register Capacity (L)
mm	Inches	Class						
15	1/2"	Class-B	3000	1500	120	30	99999.9999	0.05
20	3/4"	Class-B	5000	2500	200	50	99999.9999	0.05
25	1"	Class-B	7000	3500	280	70	99999.9999	0.05
40	1 1/2"	Class-B	20000	10000	800	200	99999.9999	0.05