

Check on every drop

AMR/AMI SOLUTION

Multijet, Dry Dial
WATER METER

KRANTI[®]
WATER METER
SINCE 1980

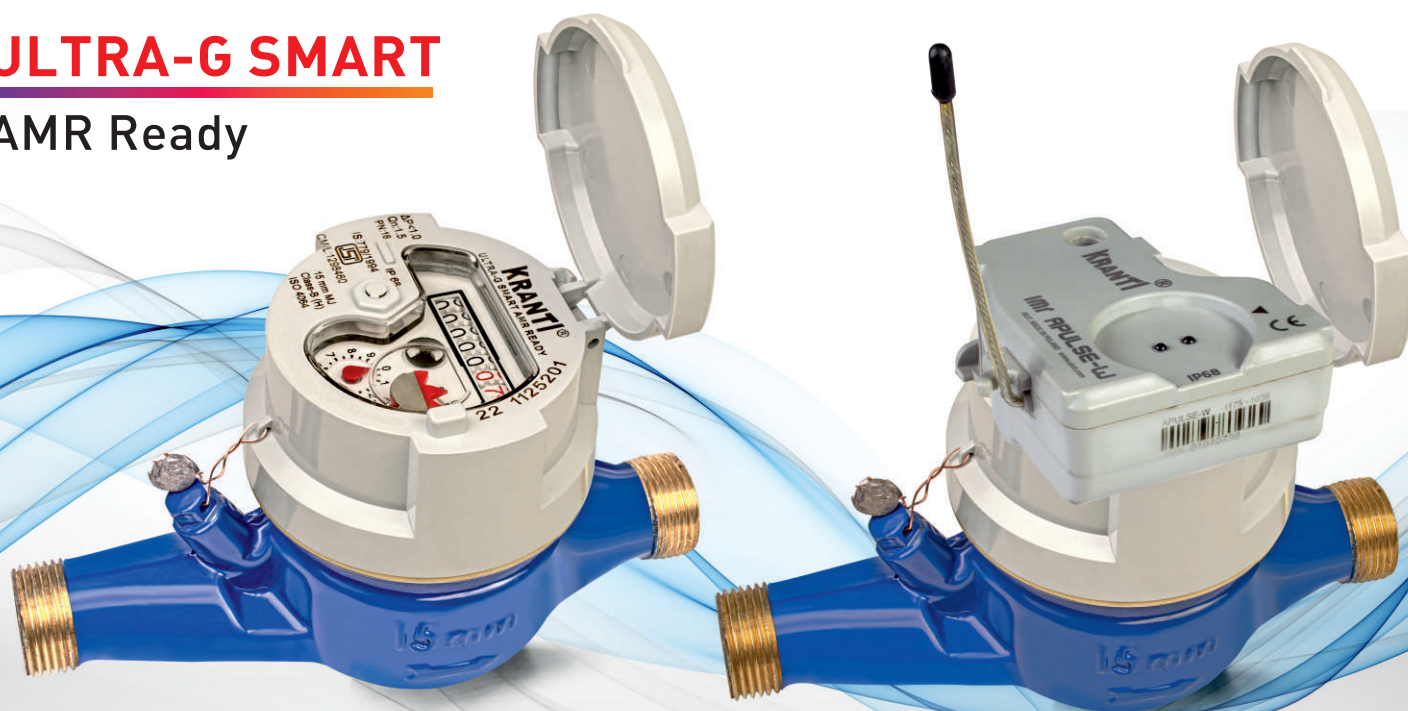


smart meter
CATALOGUE



ULTRA-G SMART

AMR Ready



APPLICATION



Domestic, Industrial & Agriculture Use



Plastic Can Register



Copper Can Register

features

- Inferential Type Dry Dial Multi Jet, Magnetic Transmission
- Straight reading cyclometer type register for the most comfortable reading position of 7 roller & 2 pointer
- Hermetically sealed register with protection category of IP68
- Only one moving part-the impeller-in contact with the water for minimum wear & utmost reliability
- All the materials in contact with water, consciously selected by the known resistance to corrosion
- Wide Range of products 15mm to 40mm
- Register can be rotated for convenient reading

Anti Fraud Features

- Copper Can or Plastic Can sealed register
- Protection against magnetic tampering

Communication

- Pre-equipped register that enables the use of communicating modules
- At anytime the modules can be easily mounted, making it a powerful communicating device for AMR/AMI Systems

Standards

- IS 779 : 1994
- ISO 4064

Accuracy

- From minimum flow rate (**Q_{min}**) inclusive to transitional flow rate (**Q_t**), exclusive : $\pm 5\%$
- From transitional flow rate (**Q_t**) inclusive to maximum flow rate (**Q_{max}**), exclusive : $\pm 2\%$

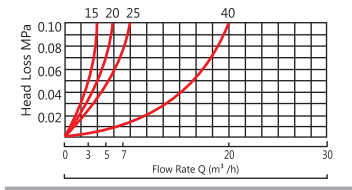
Working Conditions

- Water Temperature $\leq 50^\circ\text{C}$
- Water Pressure $\leq 1\text{MPa}$
- Pressure Loss $\Delta P < 0.1\text{MPa}$ at Q_{max}
 $\Delta P < 0.025\text{MPa}$ at Q_n
- Maximum Pressure-16 Bar

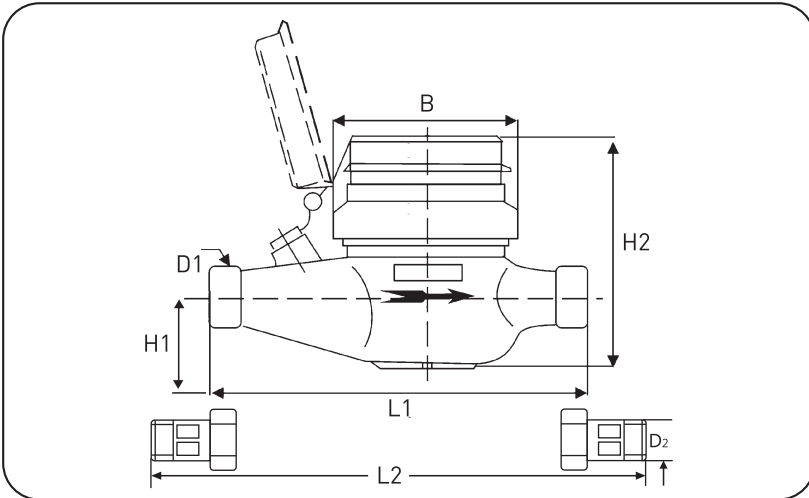
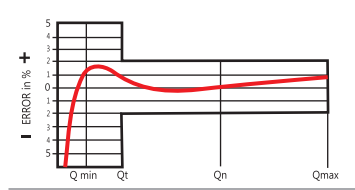
ULTRA-G SMART

AMR Ready

HEAD LOSS CURVE

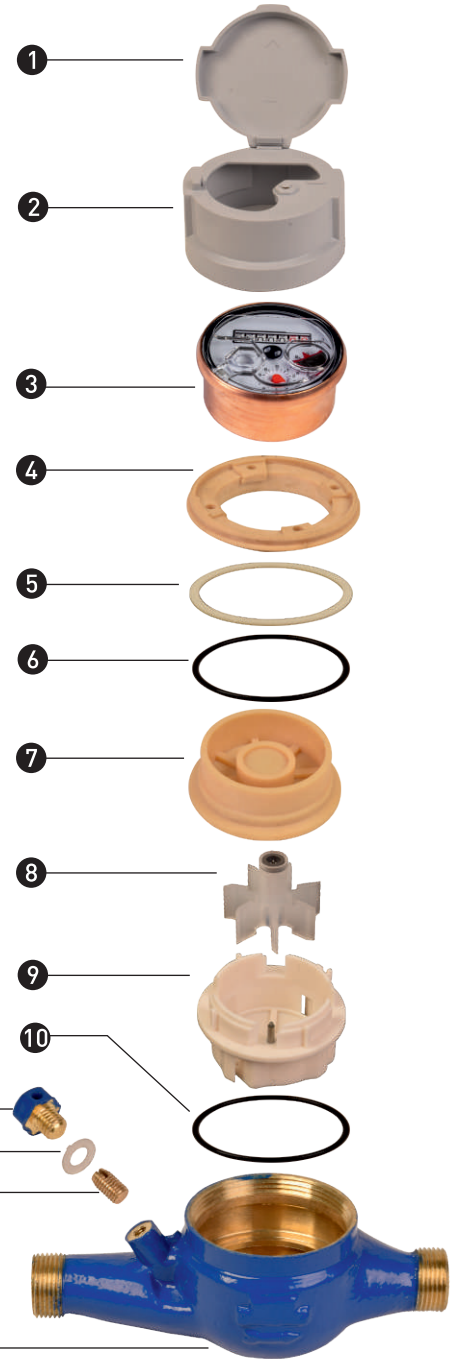


ERROR CURVE



DIMENSIONS

Nominal Size	(mm)	15	20	25	40
	(Inches)	1/2	3/4	1	1 1/2
D1 - Meter Connection Thread ISO 228/1		G3/4 B	G1 B	G1 1/4 B	G2 B
D2 - Meter Connection Pipe ISO 7/1		R1 1/2"	R3/4"	R1"	R1 1/2"
L1 - Length without Couplings (mm)		165	190	260	300
L2 - Length with Couplings (mm)		250	290	380	430
B - Width (mm) (Max.)		100	130	170	210
H1 - Centerline Height (Max.)		50	60	65	75
H2 - Overall Height (Max.)		180	240	260	300



PERFORMANCE DATA

Nominal Sizes		Metero-logical Class	Qmax Nominal Flow Rate (LPH)	Qn Nominal Flow Rate (LPH)	Qt Transitional Flow Rate (LPH)	Qmin Minimum Flow Rate (LPH)	Maximum Register Capacity (m³)	Minimum Register Capacity (L)
15	1/2"	Class-B	3000	1500	120	30	99999.9999	0.05
20	3/4"	Class-B	5000	2500	200	50	99999.9999	0.05
25	1"	Class-B	7000	3500	280	70	99999.9999	0.05
40	1 1/2"	Class-B	20000	10000	800	200	99999.9999	0.05



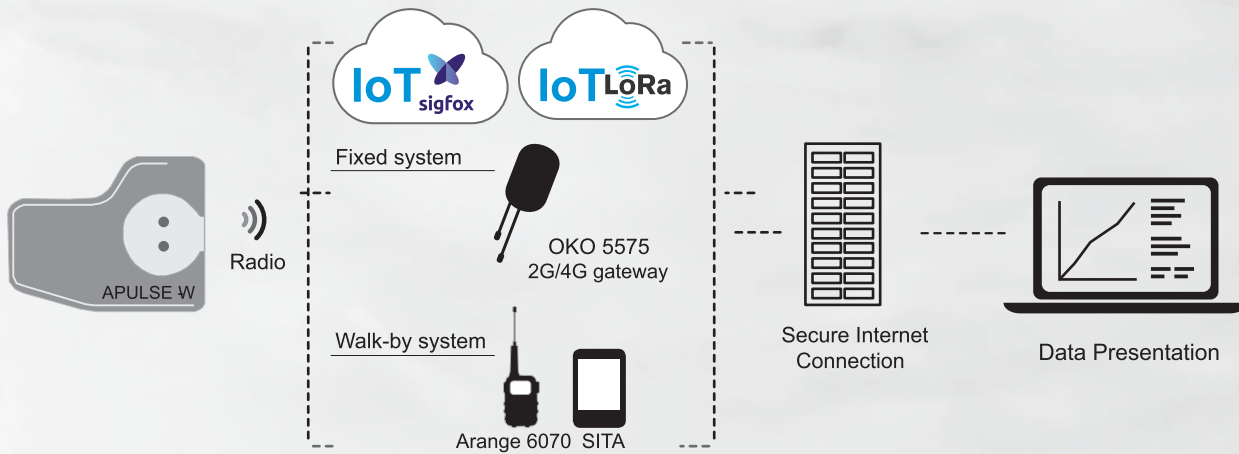
Remote, wireless readout system for utilities
APULSE-W I1x5
Radio Extension Module APULSE-W



The **ULTRA-G SMART** water meter can be equipped with Modules, becoming a remote reading interface.

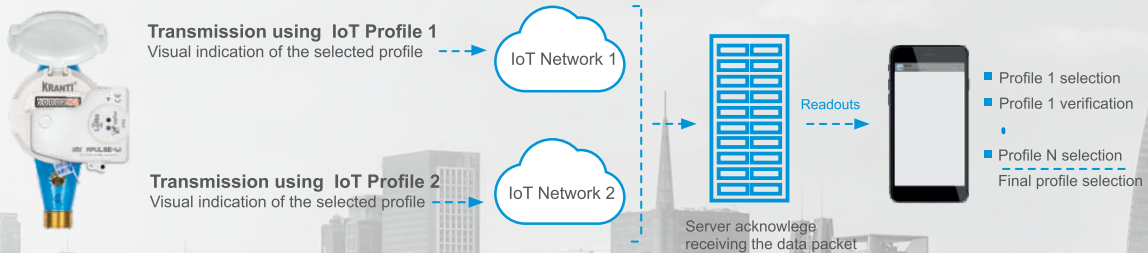
Benefits

- Fast Reading
- Reverse Flow Detection
- Leakage Management
- Bill Generation
- External Damage Alarm
- Magnetic Disturbance Alarm
- Reverse Flow Detection
- Data Protection Management



Check communication and select appropriate IoT profile that ensures stable APULSE reception. Available IoT Networks: **LoRa, Sigfox.**

Multiprofile IoT



Smart Water Metering by KRANTI is suitable for fixed and walk-by readout. APULSE-W can also provide wireless communication autonomously with IoT (LPWAN) technologies. The systems can operate simultaneously for maximum convenience & gradual investments.

AMAN ENGINEERING WORKS

C 54/55, Focal Point Extension,
 Jalandhar-4 (Pb.) India.

+91 181 2603614, 615, 616
 info@krantimeters.com
 www.krantimeters.com

